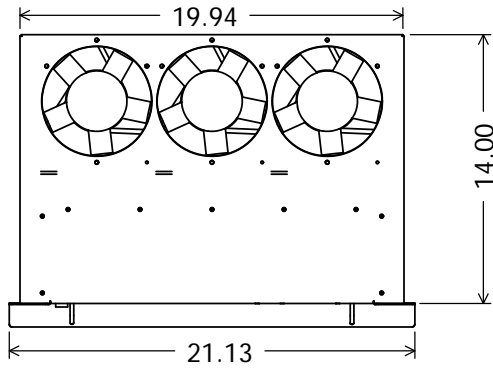
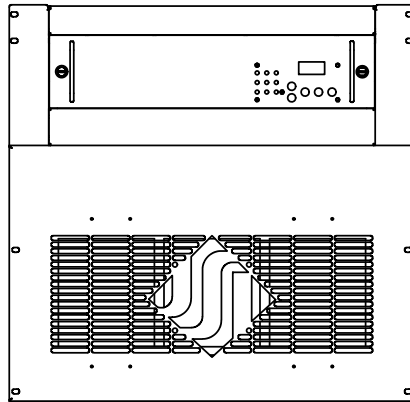


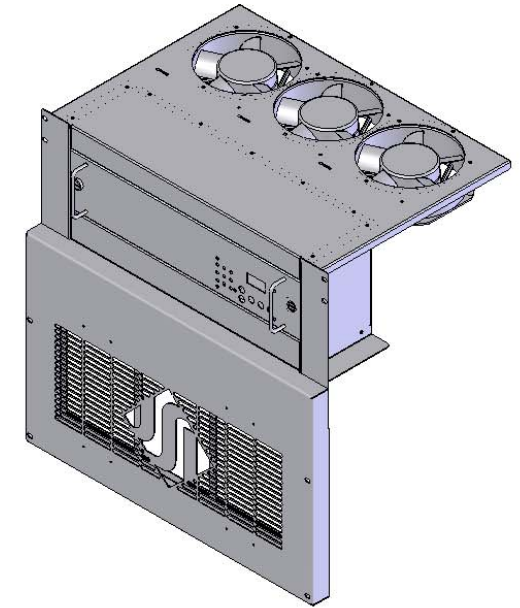
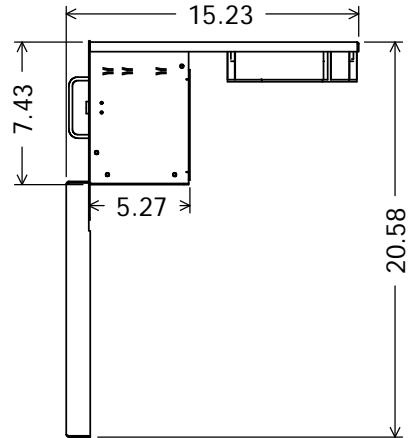
Top View



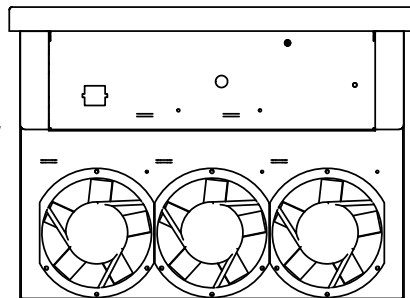
Front View



Side View



Bottom View



DIMENSIONS ARE IN INCHES UNLESS OTHERWISE SPECIFIED
 TOLERANCES:
 FRACTIONAL $\pm 1/64"$
 ANGULAR: BEND $\pm 01\%$
 THREE PLACE DECIMAL $\pm .005"$

MATERIAL
18 Gauge CRS

FINISH
Cardinal Sandtex 92-0062 Black

DO NOT SCALE DRAWING

	NAME	DATE
DRAWN	W.Dippenaar	10/08/2009
CHECKED	S.Johnson	10/08/2009
REV.	1.0	

THE INFORMATION CONTAINED IN THIS DRAWING IS THE SOLE PROPERTY OF **JOHNSON SYSTEMS INC.** ANY REPRODUCTION IN PART OR AS A WHOLE WITHOUT THE WRITTEN PERMISSION OF **JOHNSON SYSTEMS INC.** IS PROHIBITED.

JOHNSON SYSTEMS INC.

1923 Highfield Crescent SE.
 Calgary, Alberta
 Canada T2G 5M1
 (403) 287-8003
 (403) 287-9003 Fax



Part # CD-3000-SV

Note: ---

SCALE:1:10